

Further delay in startup of Vogtle AP1000s

Friday, 18 February 2022

Vogtle unit 3 is now expected to be in service by the end of the first quarter of 2023, with unit 4 following by the fourth quarter of 2023, Georgia Power has announced. In addition, the company said its share of total Vogtle capital costs has increased about USD920 million.



Units 3 and 4 of the Vogtle plant, pictured last month (Image: Georgia Power)

In October last year, Georgia Power announced a three-month delay in the schedule for the Vogtle 3 and 4 expansion project, with an in-service date in the third quarter of 2022 expected for Vogtle 3, with Vogtle 4's in-service date set for the second

quarter of 2023.

However, the company has now said there will be a further 3-6 month delay in the startup of the units due to lapses in inspection reports for unit 3 which will delay some necessary approvals from the US Nuclear Regulatory Commission.

"We have discovered incomplete and missing inspection records concerning much of the materials and equipment that have been installed at unit 3," Thomas Fanning, CEO of Georgia Power parent Southern Company, said in a conference call.

He noted that over the past year, shortcomings in construction and documentation quality have added to project timelines and cost.

Georgia Power's share of total Vogtle capital costs has increased by about USD920 million "to address updated projected in-service dates, construction productivity, increased support resources and replenishment of contingency."

This includes USD480 million for its share of cost and schedule changes and USD440 million for incremental costs expected to be borne by Georgia Power under the co-owner agreement.

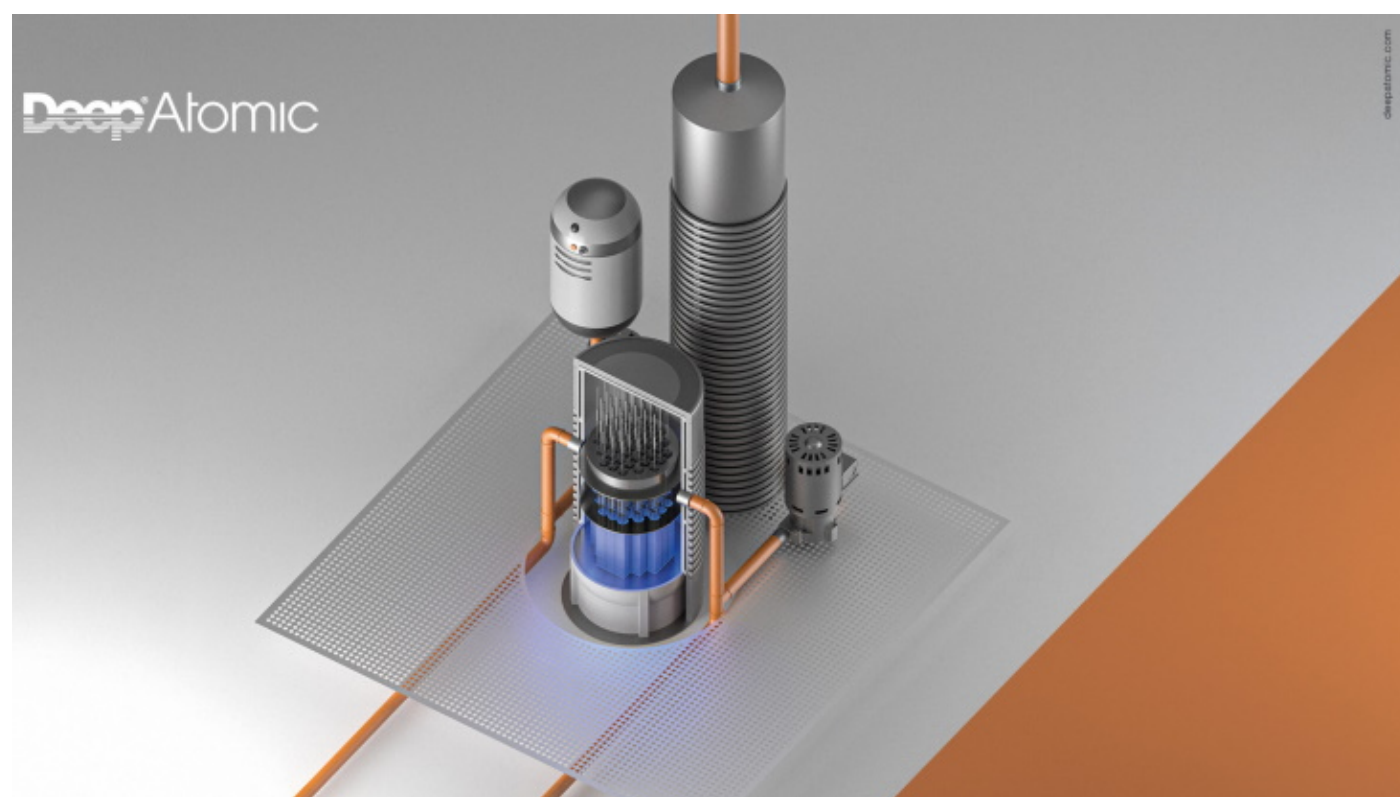
Georgia Power noted that, under the co-owner agreement, a schedule extension beyond November 2022 and 2023 requires an affirmative vote from the project's owners to proceed. It said the voting process was under way and was expected to conclude on 8 March. Georgia Power has voted to proceed.

Vogtle units 3 and 4 are co-owned by Georgia Power (45.7%), Oglethorpe Power (30%), MEAG Power (22.7%) and Dalton city (1.6%).

Construction of the two AP1000 units began in 2013: unit 3 in March and unit 4 in November. Southern Nuclear and Georgia Power, both subsidiaries of Southern Company, took over management of the project to build the units in 2017 following Westinghouse's Chapter 11 bankruptcy.

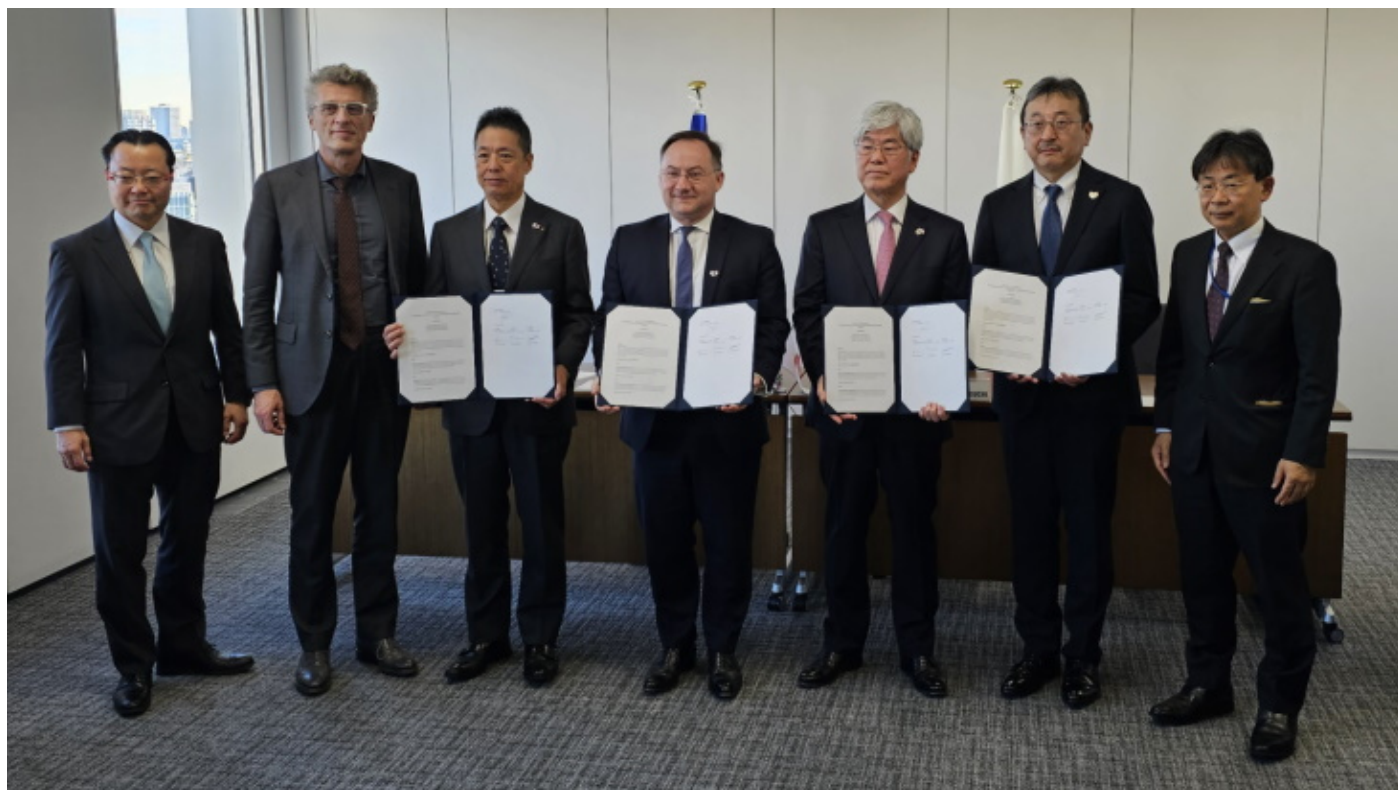


Most Read



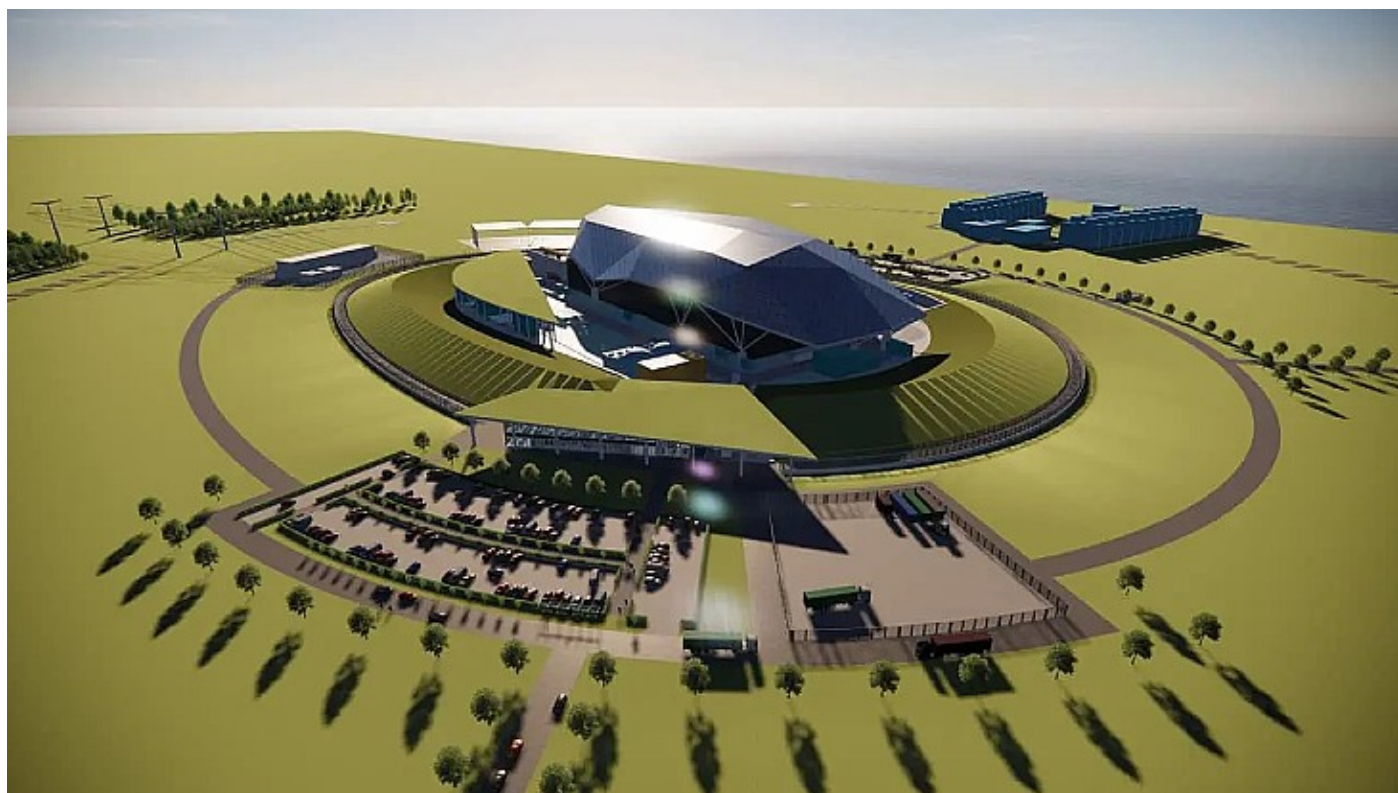
Deep Atomic launches SMR for data centres

Friday, 25 October 2024



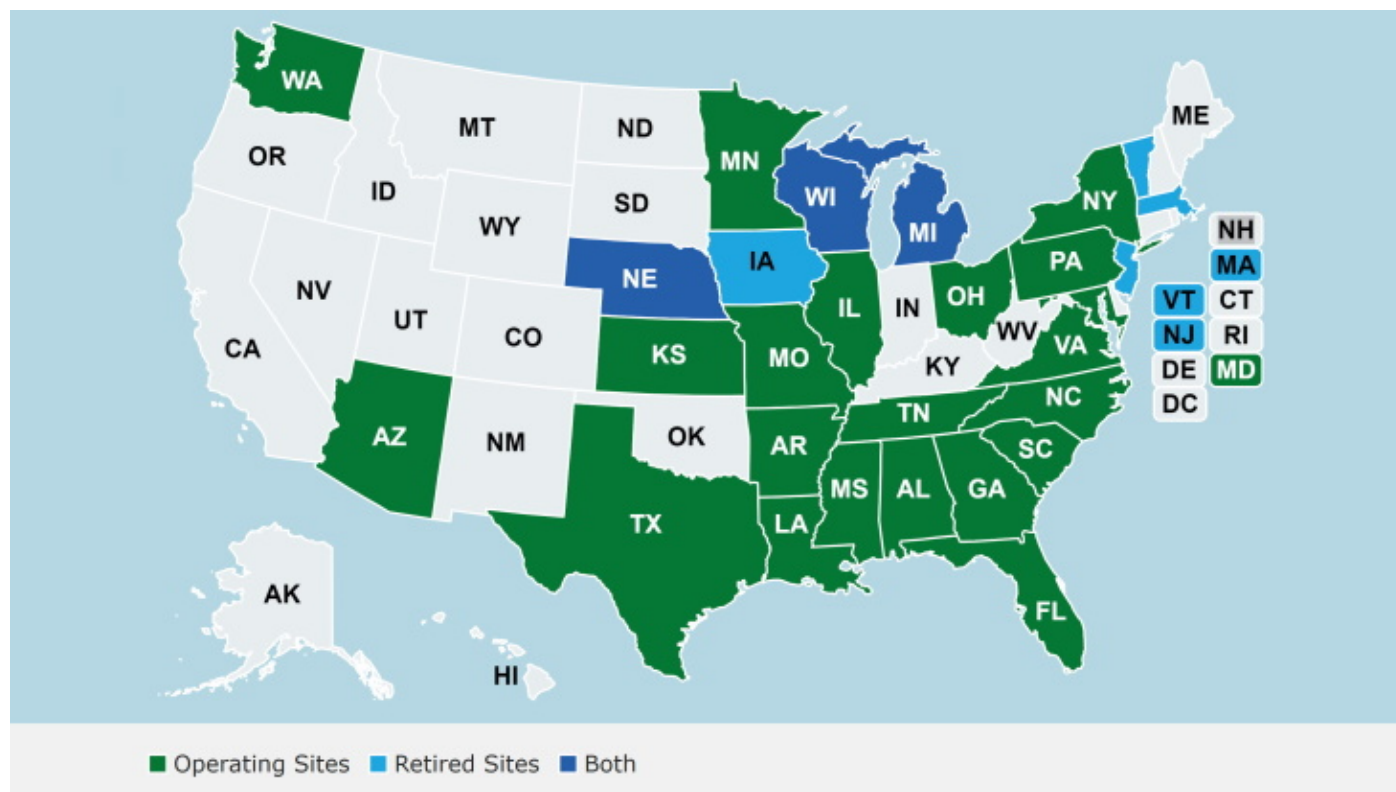
Framatome to share fast reactor experience with Japan

Friday, 6 December 2024



Czech Republic selects Rolls-Royce SMR for small reactors project

Thursday, 19 September 2024



Study shows existing US sites suitable for new build

Tuesday, 10 September 2024

Podcasts & Features



Briefing: The SMR Regulators' Forum

Podcasts & Features • Tuesday, 4 February 2025



Podcast: The international forum helping make advanced reactors a reality

Podcasts & Features • Wednesday, 29 January 2025

All Podcasts & Features

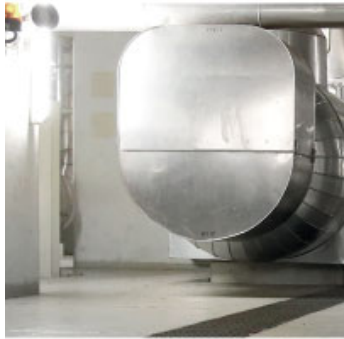
Related Information

[Vogtle 3](#)

[Vogtle 4](#)

[Nuclear Power in the USA](#)

**WORLD NUCLEAR
ASSOCIATION**



The
**World Nuclear
Supply Chain**

2023 Edition

FREE for our members
Available for purchase on
www.world-nuclear.org

Out now

Related Topics

[Construction](#) · [New build](#) · [USA](#) ·

Related Links

Georgia Power .

Related Stories

Georgia Power revises Vogtle in-service dates .

Vogtle in-service dates and cost forecast revised .

Georgia Power announces two more milestones at Vogtle .

Vogtle 3 receives first fuel delivery .

Keep me informed

Email address

[Subscribe to WNN Newsletters](#)



Energy & Environment
New Nuclear
Regulation & Safety
Nuclear Policies
Corporate
Uranium & Fuel
Waste & Recycling
Podcast & Features
Fusion
Country Index

Contact

York House,
23 Kingsway,
London,
WC2B 6UJ,
United Kingdom

editor@world-nuclear-news.org
+44 (0)20 7451 1520



© 2007-2025 World Nuclear Association, registered in England and Wales, number 01215741.
[Privacy Policy](#) [Cookies Policy](#)